

bus shelters

Pack contains 5 units



Moodie
Outdoor Products

EUROmodul
STREET FURNITURE

RG_10.4.v1

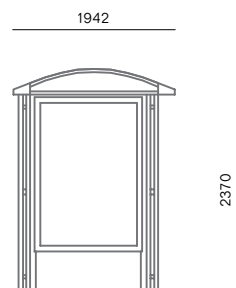


bus shelter
101 604 < 97101604 V 97101608
stainless steel,
4 modules

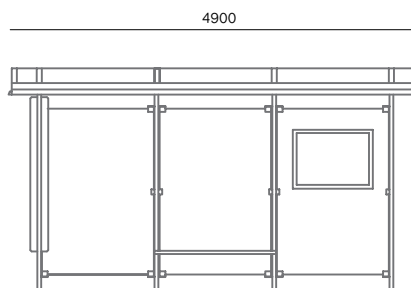
Stainless Steel 304 Frame
10mm safety glass panels



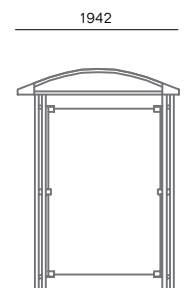
97 101 503



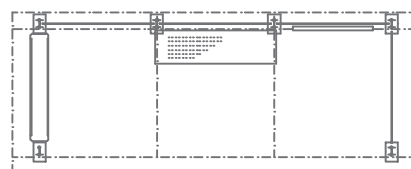
▲ side view with CITY LIGHT



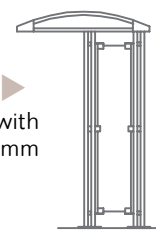
bus shelter with 3 modules with CL, timetable plan and bench



▲ side view with glass 1345 mm
97 101 603
97 101 703



equipment:
100 202 stainless steel bench
100 801 CITY LIGHT onesided
100 802 CITY LIGHT twosided
100 700 city logo engraving on glass



▲ side view with glass 400 mm

730

▼ bus shelter roof width

1600 mm

1942 mm

2282 mm

< end panels

< 1000 97101503

<1345 97101603

<1345 97101703

bus shelters

Pack contains 5 units

RG_10.4.v1



Moodie

Outdoor Products

EUROmodul

STREET FURNITURE

Bus shelter 120 AETERNA 97 120 003

Design

EUROmodul Design Studio

Filling

Safety glass 10 mm with aluminium glassholders

Construction

Zincd steel in antracit colour (RAL 7016 or other colour upon request) or stainless steel AISI 304

Roof

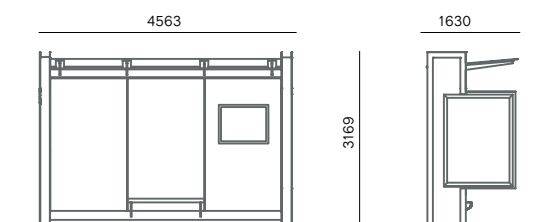
Safety glass, laminated 6 + 6 mm with milk foil



97 120 003

Bus shelter 120 AETERNA

construction	no. of modules (1 module = 1310 mm)			
	2	3	4	5
antracit RAL 7016 or on request	120 002	120 003	120 004	120 005
s. steel AISI 304	120 102	120 103	120 104	120 105



Smoking people's shelter 853

Description

Shelters for smoking people are installed on open spaces.

Users are protected from all types of weather, they are made completely closed or half-closed, according to request

Dimensions

standard shelter:

- 2,4 x 1,4 m up to 2 persons
- 1,8 x 1,8 m up to 4 persons
- 2,4 x 1,8 m up to 6 persons
- outher height 2,5 m

Construction

Zincd – painted – plasticated steel profiles, alternatively aluminium profiles in standard colours; white, chocolate, bronze or silver.

Fillings

Safety glass 8 mm or plourethane panels 40 mm or combination of materials.

Floor construction

Isolated, covered with vinyl, cheramic tiles etc. As option, no floor construction.

Electric installations

For ventilation and/or heating.

Equipment

According specifications: smoke bins, selfextinguish, benches or chairs, back supports etc.

Heating

Optional – infrared.

97 853 010

97 853 020

97 853 030

2400x2400



2400x3600



2400x2400

sales@moodie.com.au • 1300 666 343 connects you to your local representative

PO Box 326

Gladesville

NSW 2111 Australia

www.moodie.com.au

bus shelters

Pack contains 5 units

RG_10.4.v1



Moodie

Outdoor Products

EURO

Bus shelter 102

Design

EUROmodul Design Studio

Construction

Zincd steel in antracit colour (RAL 7016 or other colour upon request) or stainless steel AISI 304

Cover

Acrylic 4 mm standard white or according to request

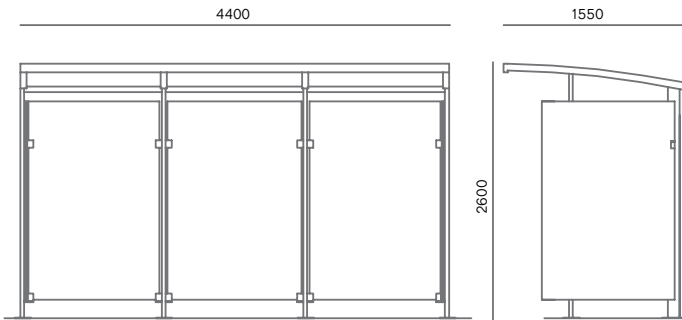
Stainless Steel 304 Frame
10mm safety glass panels

Filling

Safety glass 10 mm with aluminium glassholders

Lenght

Modul lenght up to individual requests



97 102 103

equipment:
100 202 stainless steel bench
100 001 timetable window
litter bin

Bus shelter 102

STREET FURNITURE

modul

construction	no. of modules (1 module = 1465 mm)			
	2	3	4	5
antracit RAL 7016 or on request	102 002	102 003	102 004	102 005
s. steel AISI 304	102 102	102 103	102 104	102 105

additional equipment

bench

bench antracit RAL 7016, Width 400 mm, lenght 1 module	100 201
stainless steel bench perforated plate, width 400 mm, lenght 1	100 202

timetable window

aluminium frame and plexiglass, 950 x 710 mm	100 001
--	---------

CITY LIGHT advertising space 801

CL onesided in bus shelter	100 801
CL twosided in bus shelter	100 802
CL onesided ROTATING in bus shelter	100 803
CL twosided (one side fixed, other side ROTATING)	100 804
CL twosided (both sides ROTATING) in bus shelter	100 805

litter bin

see product line ROBUSTUS

decoration - personification of safety glass

safety glass with print	100 700
-------------------------	---------

decorative - ambiantal bus shelter illumination

LED bus shelter illumination / fluo / halogenom rasvjetom na	100 500
--	---------

interactive connection

info kiosk - on demand	100 900
------------------------	---------



97 102 103
bus shelter
102 103
stainless steel
3 modules

bus shelters

Pack contains 5 units



Moodie
Outdoor Products

EUROmodul
STREET FURNITURE

RG_10.4.v1

Bus shelter 111

Design

EUROmodul Design Studio

Construction

Zincod steel in antracit colour (RAL 7016 or other colour upon request) or stainless steel AISI 304

Cover

Acrylic 4 mm white transparent or according request

Filling

Safety glass 10 mm with aluminium glassholders

Lenght

Modul lenght up to individual requests

Bus shelter 111

construction	no. of modules (1 module = _____ mm)			
	2	3	4	5
antracit RAL 7016 or on request	111 002	111 003	111 004	111 005
s. steel AISI 304	111 102	111 103	111 104	111 105

additional equipment

bench

bench antracit RAL 7016, width 400 mm, lenght 1 module	100 201
s. steel bench perforated plate, width 400 mm, lenght 1 module	100 202

timetable window

aluminium frame and plexiglass, 950 x 710 mm	100 001
--	---------

CITY LIGHT advertising space 801

CL onesided in bus shelter	100 801
CL twosided in bus shelter	100 802
CL onesided ROTATING in bus shelter	100 803
CL twosided (one side fixed, other side ROTATING)	100 804
CL twosided (both sides ROTATING) in bus shelter	100 805

litter bin

see product line ROBUSTUS

decoration - personification of safety glass

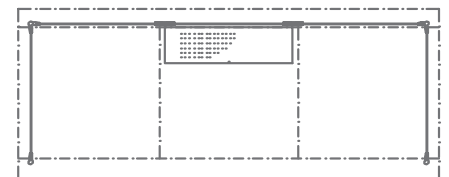
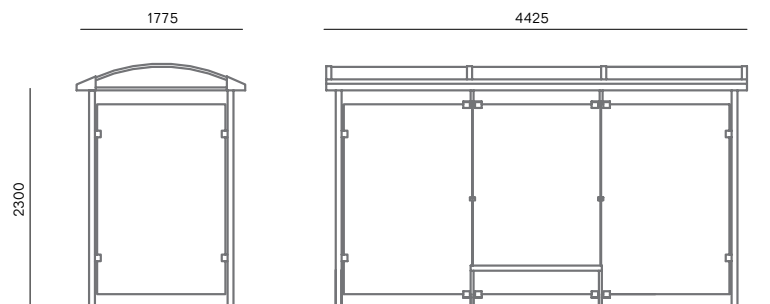
safety glass with print	100 700
-------------------------	---------

decorative - ambiental bus shelter illumination

LED bus shelter illumination / fluo / halogenom rasvjetom na	100 500
--	---------

interractive connection

info kiosk - on demand	100 900
------------------------	---------



◀ 97 111 103

Stainless Steel 304 Frame
10mm safety glass panels